

# ExMP80R

## Explosion Proof Mobile Lighting Equipment (Area Lights)

### Application

Suitable for explosive environment Class II Zone 1, 2 and Class III Zone 21, 22. Designed for a multitude of professional contexts, spanning maintenance, disaster relief, emergency response, incident management and construction. They deliver essential high-intensity illumination to ensure operational efficiency and safety in critical scenarios.



### Parameters

Certifications (pending):	IECEX, ATEX	Battery type:	12x21700 lithium battery
Ex Mark (IECEX):	Ex eb ib mb IIC T4 Gb; Ex tb IIIC T130°C Db	Battery capacity:	43.2V / 5000mAh
Ex Mark (ATEX):	Ex eb ib mb IIC T4 Gb; Ex tb IIIC T130°C Db	Charging time:	< 7 h
Usage:	II Zone 1/2, and III Zone 21/22	Recharging cycles:	500 cycles
Working ambient temp.:	-20°C ≤ T <sub>a</sub> ≤ +55°C	Lamp rotation angle:	Horizontal: 300° / Vertical: 115°
Ingress protection:	IP66	Outline dimension:	454.5x185x260mm(folding) / 800mm(rising up)
Corrosion-proof grade:	WF2	Weight:	< 7 Kg
CCT:	6500K	Warning light color:	Red/Green/Yellow/Blue/White/Reddish blue (optional)

Lighting mode	Floodlight	Spotlight	Floodlight +Spotlight (high)	Floodlight +Spotlight (low)
Beam angle (°)	132	27	27 (central) / 132 (outer circle)	27 (central) / 132 (outer circle)
Power (W)	25	25	55	15
Duration hour (H)	> 10	> 10	> 6	> 18
Lumen (lm)	2500	2500	5500	1500
Beam distance (m)	/	200	215	112
Vertical angle 70° Irradiation area m <sup>2</sup>	50	15	50	50

Lighting mode	Floodlight	Spotlight	Floodlight +Spotlight (high)	Floodlight +Spotlight (low)
Illumination				

Note: The above parameters are design values. The actual values are subject to certification testing.

## Description

- The lighting equipment consists of a lamp head, a lifting pole and a housing body.
- The lamp head and housing are electrically connected by built-in cord through lifting pole.  
The lifting pole extends up to maximum 800mm, suitable for lighting in the work area for 1-4 personnel.
- The housing is molded using PA engineering plastic, known for its lightweight, corrosion resistance.  
The buttons are made of tough, wear-resistant and chemical-resistant high performance nylon, providing a comfortable and long-lasting use.
- It offers four lighting modes-
  - (1) floodlight
  - (2) spotlight
  - (3) floodlight + spotlight (high)
  - (4) floodlight + spotlight (low) - with one-touch switching.
- It is equipped with work warning lights in the back of the headlight for enhanced safety and visibility.
- It is lightweight with smart structure. It can be not only hand-held as a portable mobile lighting or placed at different heights for lighting, but also raise the lamp head to achieve wide area lighting.

## Features



4 lighting modes:

- Floodlight
- Spotlight
- Floodlight + spotlight (high)
- Floodlight + spotlight (low)

Adjust to the desired lighting mode.

The lamp head can be adjusted 300° horizontally and 115° vertically to the desired lighting angle.

115°



300°



Equipped with warning light in the back of the headlight for work safety. Support customized colors.



Easier light mode switch via large button amid gloves-on work



4 grid power indicator






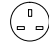

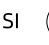

The 2-section retractable light pole can be locked at any height and adjusted to the desired lighting height.

up to 800mm

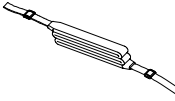

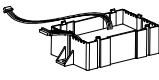
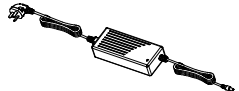






2 carrying methods:  
hand-held or shoulder strap

Folding operating mechanism

## Order specifications

Illustration	Description	Order No.
	Explosion Proof Mobile Lighting Equipment (Area Lights) + Adapter	ExMP80R-□-□-01
<p> <span style="color: red;">●</span> R-Red   <span style="color: green;">●</span> G-Green   <span style="color: yellow;">●</span> Y-Yellow   <span style="color: blue;">●</span> B-Blue   <span style="color: white;">○</span> W-White   <span style="color: red;">●</span> RB-reddish blue         </p> <p>Code of warning light flash color</p>		
<p>  GB    EN    BS    ANSI    AS    JIS         </p> <p>Code of plug</p>		

## Spare parts

Illustration	Description	Weight (g)	Order No.
Shoulder carrying strap 	/	97	1000/11-02-04
Lithium battery pack 	43.2V / 5000mAh	1200	1000/05-R81-01-Ex
Power supply 	Input: 24V DC/2.5A Output: 18V DC (lighting equipment) 12V DC (warning light)	440	8281R-DR-Ex
Adapter 	Input: 100-240V 50/60Hz, 2A Output: 24V DC, 4A	700	1000/12-02-□
<p>  GB    EN    BS    ANSI    AS    JIS         </p> <p>Code of plug</p>			

Outline dimension (unit: mm)

