



ATEX / IECEx certified for **Zone 2 / 22**

**Universal and reusable** UniCase certified enclosure

Enables the use of **standard tablets** in hazardous areas

**Full access** to buttons, cameras, audio and charging port

**Impact-resistant** enclosure and screen

**Simple installation**, supported by clear documentation

## Armadex Ex UniCase

The Ex UniCase is a certified enclosure that enables the use of a standard commercial tablet in ATEX Zone 2 / 22 hazardous areas.

The enclosure is compatible with multiple tablet models, allowing the internal device to be replaced or upgraded while retaining the original certification of the housing. This eliminates the need for re-certification and extends the operational lifecycle of the solution.

Installation requires no specialist tools. Buttons, cameras, microphone, speakers, and charging port remain fully accessible, ensuring unrestricted functionality during operation.



iPad A16

iPad Pro M5

iPad Pro M4

iPad Air

Tab S10 FE

Tab A11

Tab S11

Surface Go

compatibility not limited to above models



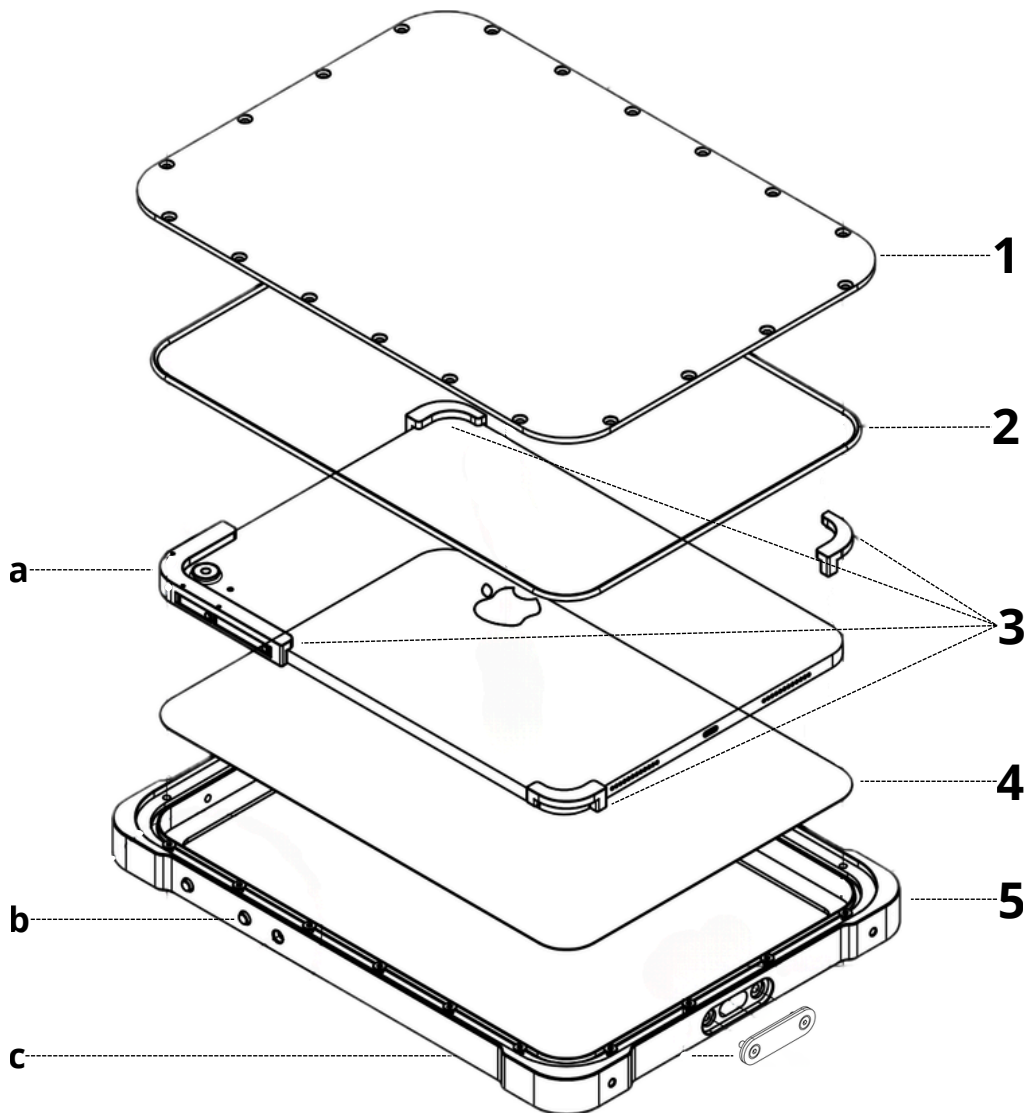
SAMSUNG



### Explosion Safety Specifications

<b>ATEX Zones</b>	Zone 2 (Gas) and Zone 22 (Dust)	<b>EU Directive</b>	2014/34/EU (ATEX 114)
<b>ATEX Marking – Gas</b>	II 3G Ex nR IIC T6 Gc	<b>IECEx Marking – Gas</b>	Ex nR IIC T6 Gc
<b>ATEX Marking – Dust</b>	II 3D Ex tc IIIC T85°C Dc	<b>IECEx Marking – Dust</b>	Ex tc IIIC T85°C Dc
<b>Type Examination Cert.</b>	OBAC 26ATEX0194X	<b>IECEx Certificate</b>	IECEx OBAC 26.0005X
<b>Applied ATEX Standards</b>	EN IEC 60079-0:2018, EN IEC 60079-15:2019, EN IEC 60079-31:2024	<b>Applied IECEx Standards</b>	IEC 60079-0:2017, IEC 60079-15:2017, IEC 60079-31:2022





- (1)** Transparent hard-coated anti-static polycarbonate back cover providing external protection.
- (2)** 3 mm silicone rubber O-ring ensuring sealing between back cover and enclosure.
- (3)** Device specific, modular ABS corner inlays for tablet positioning.
- (4)** Impact-resistant Gorilla® Glass display window protecting the touchscreen.
- (5)** Main UniCase enclosure manufactured from ESD-safe POM-C.
- (a)** Button interface corner inlay enabling mechanical operation of the tablet buttons.
- (b)** Physical tablet buttons, fully operable through the UniCase interface.
- (c)** USB-C port sealing cover protecting the charging port during operation.

Sp. z o.o.

**OBAC**

Ośrodek Badan, Atestacji i Certyfikacji Sp. z o.o.  
44-121 Gliwice, ul. Łabędzka 21

**TYPE EXAMINATION CERTIFICATE**

(1) **TYPE EXAMINATION CERTIFICATE**

(2) Equipment, components and protective systems intended for use in potentially explosive atmospheres. Directive 2014/34/EU of the European Parliament and of the Council of 26 February 2014.

(3) Type examination certificate No: **OBAC 26 ATEX 0194X, Issue 0**

(4) Product: **Armadex Ex UniCase Small, Medium or Large**

(5) Manufacturer: **Armadex Explosion Protection B.V.**

(6) Address: **Tinstraat 33, 2984 AN Ridderkerk, The Netherlands**

(7) This equipment, product or protective system and any acceptable variation thereto is specified in the schedule to this certificate and the documents therein referred to.

(8) Ośrodek Badan, Atestacji i Certyfikacji OBAC Sp. z o.o. (The Institute for Research and Certification „OBAC” Ltd) certifies that this equipment, component or protective system has been found to comply with the Essential Health and Safety Requirements relating to the design and construction of equipment, component or protective systems intended for use in potentially explosive atmospheres given in Annex II to the European Council Directive 2014/34/EU. The examination and test results and the list of agreed technical documentation are recorded in the confidential Report no OBAC26/ATEX/0194.

(9) Compliance with the Essential Health and Safety Requirements has been assured by compliance with:

EN IEC 60079-0:2018  
EN IEC 60079-15:2019  
EN IEC 60079-31:2024

(10) If the sign „X” is placed after the certificate number, it indicates that the product concerned is subject to specific conditions of use specified in the schedule to this certificate.

(11) This certificate relates only to the design, assessment and tests of the specified equipment according to the Directive 2014/34/EU. The certificate does not apply to further requirements of the Directive relating to the manufacture and placing on the market of this equipment.

(12) The marking of the equipment, component or protective system must include the following:

**Ex II 3G Ex nR IIC T6 Gc**

**Ex II 3D Ex tc IIC T85°C Dc**

Head of Certification Body  
**Piotr Tarnawski**

Gliwice, 12 May 2026

DRAFT FOR OBAC/PO-5/F/3      wyd. 2      Page 1 of 2

**IECEx Certificate of Conformity**

Certificate No.: **IECEx OBAC 26.0005X**      Page 2 of 3

**IECEx Certificate of Conformity**

Certificate No.: **IECEx OBAC 26.0005X**      Page 3 of 3

**IECEx Certificate of Conformity**

**INTERNATIONAL ELECTROTECHNICAL COMMISSION**  
IEC Certification System for Explosive Atmospheres  
For rules and details of the IECEx Scheme visit [www.iecex.com](http://www.iecex.com)

Certificate No.: **IECEx OBAC 26.0005X**      Page 1 of 3      Certificate history:

Status: **Draft**      Issue No: 0

Date of issue: **2026-05-15**

Applicant: **Armadex Explosion Protection Ltd.**  
43 Chestnut Road  
Doncaster DN9 5GA  
United Kingdom

Equipment: **Armadex Ex UniCase Small, Medium or Large**

Optional accessory:

Type of Protection: **type of protection "n"; protection by enclosure "T"**

Marking: **Ex nR IIC T6 Gc**  
**Ex tc IIC T85°C Dc**

DRAFT

Approved for issue on behalf of the IECEx Certification Body: **Piotr Tarnawski**  
Head of Certification Body

Signature: (for printed version)

Date: (for printed version)

1. This certificate and schedule may only be reproduced in full.  
2. This certificate is not transferable and remains the property of the issuing body.  
3. The Status and authenticity of this certificate may be verified by visiting [www.iecex.com](http://www.iecex.com) or use of this QR Code.

Certificate issued by:  
**Ośrodek Badan, Atestacji i Certyfikacji OBAC Sp. z o.o.**  
Łabędzka 21  
44-121 Gliwice  
Poland

**OBAC**

Final IECEx certificate available soon