

D2xB1LD2 Haz Loc LED Beacon Warning Light

The hazardous location UL1638 D2xB1LD2 LED beacon and status warning light is UL/cULs approved for Class I Div 2, Class II Div 2, Class I Zone 2/22 as well as IECEx and ATEX certified for Zone 2 and 22 applications.

The D2xB1LD2 utilises an array of high power Cree® LED's, orientated to optimise visibility in any direction. The beacon can be configured as a steady light for status indicator use, with a light output of up to 87 candela. Alternatively one of the five flashing modes, with a effective output of up to 180 candela, may be used for warning applications. DC voltage versions feature three remotely selectable stages enabling multiple warnings to be signalled from one device. The UV stable colour filter enhances the light output and is field replaceable. The 24Vdc version is UL and cUL approved to UL1638 for private mode fire alarm use.

Features

- UL1638 & CAN-ULC-S526 Private mode fire
- Synchronised 1Hz, 1.3Hz and 2Hz flash rates
- 73.4 eff. candela – UL1638 Private mode fire
- 180 eff. candela – UL1638 General signaling
- Five flash rates and two steady mode intensities
- Marine grade aluminium enclosure Type 4/4X/3R/13, IP66
- High impact resistant Borosilicate glass lens
- Stainless steel lens guard as standard
- Field changeable UV stable lens colour filter
- Duplicate, pluggable cable terminations, supervisory diode
- Surface mounting via user installed lugs
- Pendant mounting via 3/4"NPT conduit entry
- Dual 1/2"NPT and M20 cable entries
- Supplied with haz loc rated stopping plugs/adaptors
- UL Marine approved

Approvals

- UL/cUL File ref: E245313
- IECEx certificate: IECEx ULD 14.0004X
- ATEX certificate: DEMKO 14 ATEX 4786493904X
- CSFM listing: 7300-2279:0500
- Ex EAC certified: EAC RU C GB.AA71.B.00273/20
- SIL1 & SIL2 compliant to IEC61508 (2010)

Coding

- NEC / CEC:
 - Class I Div 2 ABCD T4 Ta -40°C to +50°C (T4A +40°C)
 - Class II Div 2 FG T6 Ta -40°C to +50°C
 - Class III Div 1 & 2 Ta -40°C to +50°C
- NEC:
 - Class I Zone 2 AEx ec IIC Gc T4 Ta -40°C to +50°C
 - Zone 22 AEx tc IIIB T75°C Dc Ta -40°C to +50°C
- CEC:
 - Class I Zone 2 Ex ec IIC Gc X T4 Ta -40°C to +50°C
 - Zone 22 Ex tc IIIC T75°C Dc X Ta -20°C to +50°C
- IECEx & ATEX:
 - II 3G Ex ec IIC T4 Gc Ta -40°C to +50°C
 - II 3D Ex tc IIIC T75°C Dc Ta -40°C to +50°C

See product manual for full voltage specific coding



Specification

Source:	Array of 4 x High Power Cree® LED's
Eff. Intensity cd:	73.4 cd UL 1638 Private mode fire
Eff. Intensity cd:	180 cd UL 1638 General signaling
Peak Intensity cd:	300,000 cd
Eff. Intensity cd:	87 cd High power steady
Lens colours:	Amber, Blue, Clear, Green, Magenta, Red & Yellow
LED life:	>60,000 hours
Synchronisation:	Synchronised 1Hz, 1.5Hz and 2Hz flash rates
Voltages DC:	24V dc (18-54V dc)
In-rush:	1.88A for 2ms @ 24V dc
Voltages AC:	115V ac; 230V ac
Safety Integrity Level:	Product version A: SIL1 and SIL2 Route 2H
Ingress protection:	IP rating per EN60529:IP66 Type rating per UL50E/NEMA250:4/4X/3R/13
Enclosure material:	Marine grade LM6 aluminum alloy
Enclosure finish:	Chromate & powder coated finish ISO 12944-6 CX, C5VH & C5H
Enclosure colour:	Red or Grey, custom colours available on request
Lens material:	Borosilicate glass dome with PC prismatic lens cover
Guard:	Stainless Steel dome guard as standard
Cable entries:	2 x M20x1.5, 2 x 1/2"NPT, 1 x 3/4"NPT
Stopping plugs:	Nickel Plated Brass plugs included Optional Brass or Stainless Steel
Ground/Earth stud:	M5
Terminals:	0.5 - 2.5mm ² (20-14 AWG)
Line monitoring:	Blocking diode included EOL can be factory fitted
Operating temp:	-40 to +50°C [-40° to +122°F]
Storage temp:	-40 to +70°C [-40° to +158°F]
Relative humidity:	99% - tropicalised/conformal coated electronics
Weight:	DC: 1.5kg/3.31lbs AC: 1.75kg/3.86lbs

* All candela data is representative of performance with clear lens at optimum voltage.

Part Codes

Part Code:	Identifier:	Description:
Product type:	D2xB1LD2	Haz loc LED warning light / beacon
Voltage:	AC115 AC230 DC024	115-120Vac 50/60Hz 220-230Vac 50/60Hz 24V dc (18-54Vdc)
Cable entries: [e]	M	2 x 1/2" NPT 2 x M20x1.5 1 x 3/4" NPT
Stopping plug material: [m]	N S	Nickel plated brass Stainless Steel
Guard material & tag: [s]	1 3 5	A4 316 Stainless Steel A4 316 St/St with Equip. Tag A4 316 St/St with Equip. Tag & Duty Label
Product version: [v]A		UL, cUL, ULC, IECEx, ATEX, CSFM, Ex EAC, SIL2
Product option: [o]	1 X	Standard product Custom configuration - contact E2S
Enclosure colour: [x]	R G S	Red Grey Special colour - contact E2S
Lens colour: [y]	A, B, C G, M, R, Y	Amber, Blue, Clear Green, Magenta, Red, Yellow

Accessories:

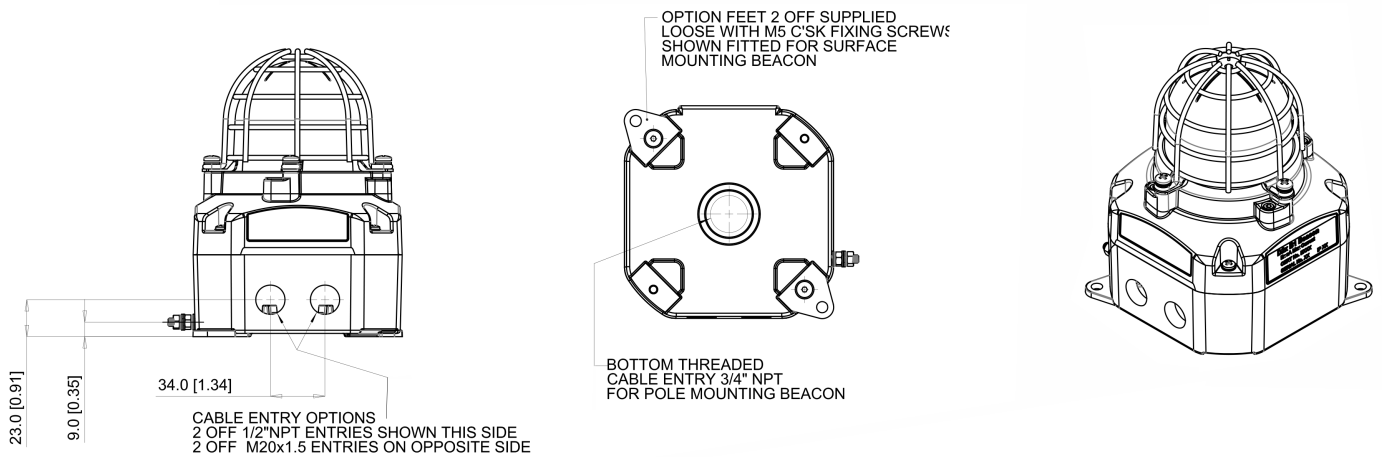
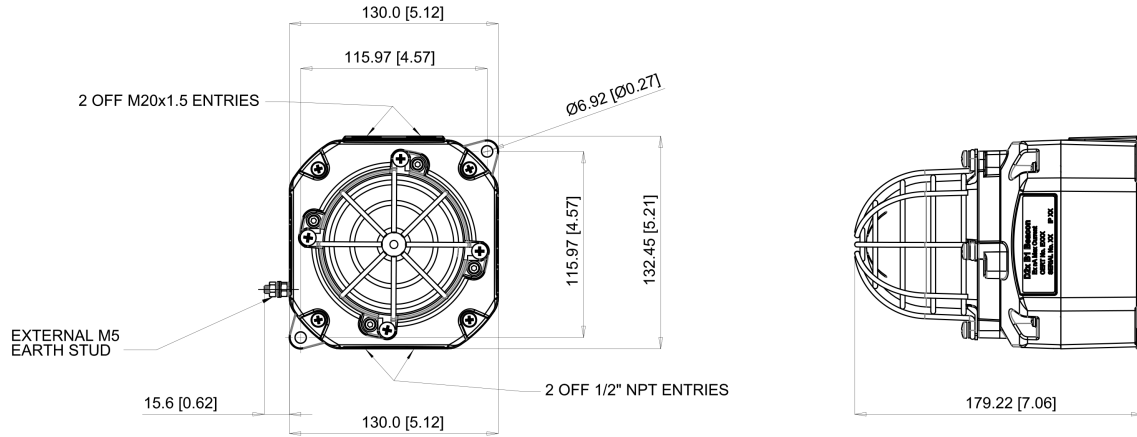
SP65-0001-A4	Pole Mount Bracket Kit St/St A4 (316)
SP65-0003-A4	Sunshade - St/St A4 (316)

Multi-function patterns

Stage 1: [On board]	Stage 2: DC only [Remote]	Stage 3: DC only [Remote]
Steady High Power	Flashing 1Hz	Triple Strike
Steady Low Power	Flashing 1Hz	Triple Strike
Flashing 1Hz	2x Flash 2Hz	Triple Strike
Flashing 1.5Hz	Flashing 2Hz	Double Strike
Flashing 2Hz	Triple Strike	Triple Strike
Double Strike	Steady High Power	Triple Strike
Triple Strike	Flashing 2Hz	Double Strike

Current Consumption

Nominal Voltage:	In rush:	Voltage range:	Nominal operating current:
24V dc	1880mA <4.4ms	18-54V dc	99.5mA
115V ac	635mA <8.5ms	115-120Vac 50/60Hz	68mA
230V ac	410mA <9.4ms	220-230Vac 50/60Hz	70mA



Assemblies

The D2xB1LD2 is available as an assembly configured with an optional D2xS1 type alarm horn sounder and additional D2x type Xenon strobe or LED beacons with or without a D2xJ1 junction box. Contact E2S for further information.